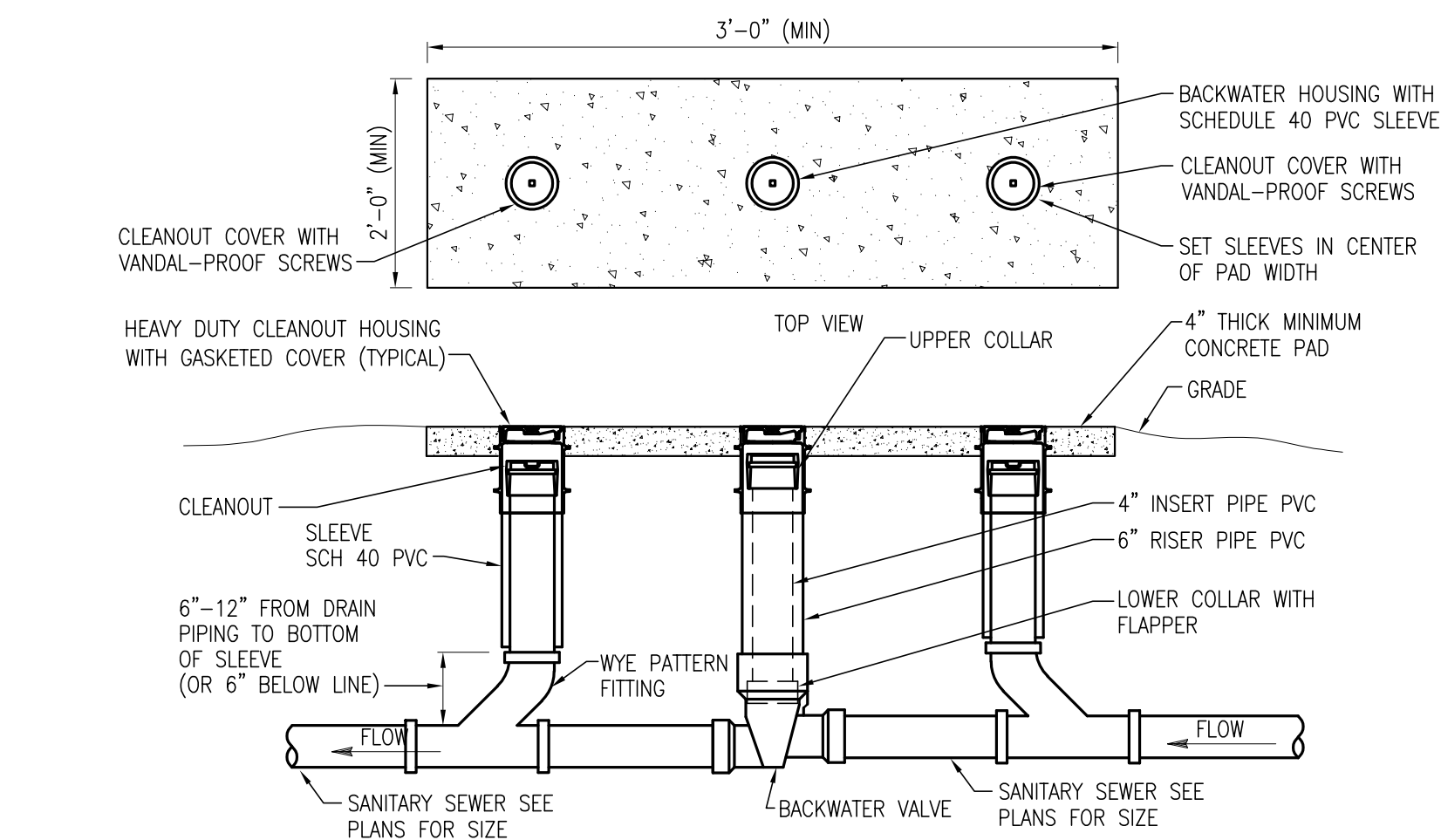
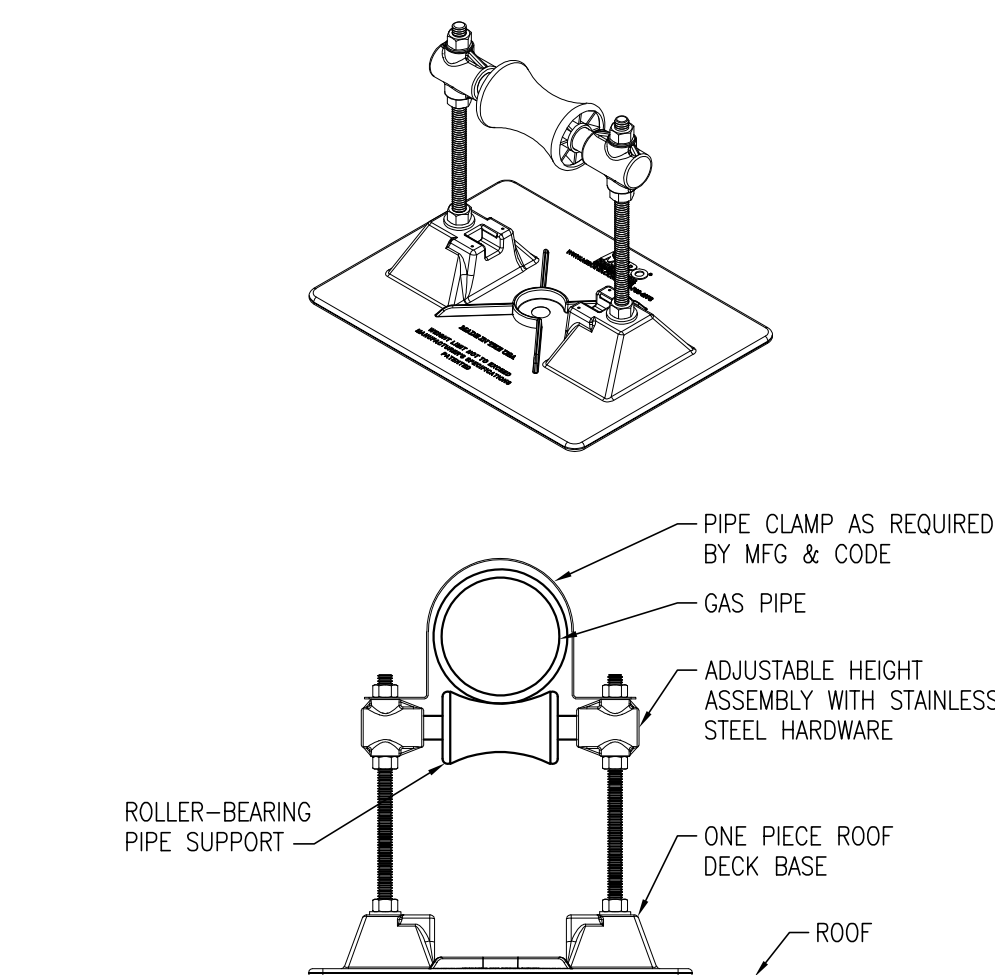


PLUMBING FIXTURE SCHEDULE									
MARK	FIXTURE	MANUFACTURER	MODEL	MOUNT	ROUGH-IN SCHEDULE				FITTINGS AND REMARKS
					COLD	HOT	WASTE	VENT	
BWV	BACKWATER VALVE (SANITARY)	RECTORSEAL	97034	GRADE	-	-	4"	-	PVC BODY, FLAPPER WITH EXTENSION AND CAP. PROVIDE PVC SLEEVE TO FLUSH WITH FINISH GRADE. FIELD VERIFY DEPTH OF ACCESS HOUSING. ASSEMBLY MEETS IPC CODES. SEE DETAIL SHEET P501.
ECO	EXTERIOR CLEANOUT	WADE	8401-12 COF4-VP-81	GRADE	-	-	SEE PLANS	-	CAST IRON CLEANOUT ACCESS HOUSING, ANCHOR FLANGE, SECURED GASKETED COVER WITH CLEANOUT FERRULE WITH ABS PLUG. VANDAL PROOF SCREWS.



1 BACKWATER VALVE & EXTERIOR CLEANOUT DETAIL
NOT TO SCALE



2 ROOF PIPE SUPPORT DETAIL
NOT TO SCALE

GENERAL PLUMBING NOTES

- THESE DRAWINGS SHALL NOT BE SCALED. SEE ARCHITECTURAL/CIVIL DRAWINGS FOR DIMENSIONAL INFORMATION. THIS ENGINEER WILL NOT BE LIABLE FOR MISCALCULATED PRODUCT TAKE-OFFS DUE TO SCALING OF DRAWINGS.
- ALL SANITARY PIPING SHALL HAVE A 1/8" PER FOOT SLOPE UNLESS OTHERWISE NOTED. 2" SANITARY OR SMALLER SHALL HAVE A 1/4" PER FOOT SLOPE.
- VENT PIPING SHOWN ON FLOOR PLANS IS DIAGRAMMATIC EXCEPT FOR VENT THRU ROOF (VTR) LOCATIONS.
- VALVES AND FITTINGS SHALL BE OF SAME SIZE AS THE LINE ON WHICH THEY ARE LOCATED, UNLESS OTHERWISE INDICATED ON DRAWINGS.
- CONTRACTOR SHALL COORDINATE ALL WORK WITH OTHER TRADES.
- CONTRACTOR SHALL FIELD VERIFY ALL GIVEN MEASUREMENTS PRIOR TO LAYING AND CONNECTING ALL SANITARY AND WASTE PIPING AND NOTIFY ENGINEER OF ANY DISCREPANCIES.
- CONTRACTOR SHALL BE RESPONSIBLE FOR MAINTAINING FIRE RATING AND WEATHERPROOFING INTEGRITY OF ALL PIPING AND PENETRATIONS.
- ALL WATER SUPPLY AND SANITARY LINES SHALL BE RUN AS CLOSE TO PLANS AS POSSIBLE WITH NO CHANGES IN SIZING.
- CHANGES IN THE DIRECTION OF SANITARY DRAIN PIPING SHALL NOT BE MADE WITH FITTINGS WHICH WILL CAUSE EXCESSIVE REDUCTION IN THE VELOCITY OF FLOW OR CREATE ANY OTHER ADVERSE EFFECT UNLESS PHYSICALLY IMPOSSIBLE (I.E.: USE OF SANITARY TEE IN A HORIZONTAL CONNECTION, USE OF A DOUBLE SANITARY TEE IN A VERTICAL STACK, IN GENERAL, USE OF SHORT-RADIUS FITTINGS FOR BRANCH TO HOUSE DRAIN OR STACK CONNECTION).
- CONTRACTOR SHALL GIVE 48 HOURS HOUR EMERGENCY LOCATE NOTICE TO APPLICABLE UTILITY COMPANY PRIOR TO PERFORMING WORK INVOLVING UTILITIES.
- ALL DRAINAGE PIPING SHALL BE MARKED WITH THE SEAL OF APPROVAL OF THE NATIONAL SANITATION FOUNDATION.
- ROUTE ALL PIPING CONCEALED ABOVE CEILINGS, WITHIN WALLS, OR IN CHASES. PIPING EXPOSED SHALL BE SLOPED AND PAINTED TO MATCH ARCHITECTURAL FINISHES. PIPING IN MECHANICAL ROOMS MAY BE EXPOSED.
- SITE UTILITY CONNECTIONS SHALL BE PROVIDED ON CIVIL DRAWINGS. ALL SERVICES SHOWN ON THIS SET OF PLANS TERMINATE 5'-0" FROM BUILDING, UNLESS SHOWN OTHERWISE ON DRAWINGS. PLUMBING CONTRACTOR SHALL MAKE FINAL CONNECTIONS TO SITE UTILITIES. (INC. CLEAN OUTS, INCREASES, BACKWATER VALVES, ETC.)
- COORDINATE WITH ARCHITECT/GENERAL CONTRACTOR FOR INSTALLATION OF HOSE BIBS. HEIGHT OF INSTALLATION SHALL BE DETERMINED IN FIELD.
- CONTRACTOR SHALL VERIFY INVERT ELEVATIONS OF SEWERS TO WHICH NEW SEWER LINES ARE TO BE CONNECTED BEFORE INSTALLATION OF NEW SEWER LINE.
- ALL VENTS THROUGH ROOF SHALL BE MIN. 10'-0" FROM ANY AIR INTAKES.
- CONTRACTOR SHALL INSTALL DIELECTRIC UNIONS AT CONNECTIONS OF DISSIMILAR METALS.
- CONTRACTOR SHALL ROUGH-IN ALL WASTES AND SUPPLIES TO SPECIAL EQUIPMENT ACCORDING TO MANUFACTURER'S SHOP DRAWINGS AND MAKE FINAL CONNECTIONS. ALL SUPPLIES SHALL BE VALVED. INSTALL VACUUM BREAKERS WHERE REQUIRED BY CODE.
- DO NOT PENETRATE WALL FOOTINGS WITH PIPING, COORDINATE WITH GENERAL CONTRACTOR TO DROP FOOTINGS AS REQUIRED TO CLEAR PLUMBING SERVICES WHERE ABSOLUTELY NECESSARY. ALL PIPING PENETRATING A BEARING WALL OR FOOTING MUST BE SLEEVED AND LOCATION APPROVED BY STRUCTURAL ENGINEER. PROVIDE LINK-SEALS IN ALL PENETRATIONS OF EXTERIOR WALLS.
- ALL PIPING SHALL BE INSTALLED AS HIGH AS POSSIBLE IN PROVIDED CEILING SPACE.
- COORDINATE PIPING INSTALLATION AS TO NOT INTERFERE WITH HVAC EQUIPMENT ACCESS.
- ANY ERRORS OR AMBIGUITIES IN THE PLANS AND/OR SPECIFICATIONS THAT ARE DISCOVERED BY THE CONTRACTOR SHALL BE REPORTED TO THE ARCHITECT/ENGINEER BEFORE WORK IS STARTED. OMISSION OF PARTICULAR REFERENCE TO ANY ITEM NECESSARY FOR COMPLETE INSTALLATION AND PROPER OPERATION THEREOF SHALL NOT RELIEVE THE CONTRACTOR OF THE RESPONSIBILITY OF FURNISHING THE SAME AT NO EXTRA COST. THE CONTRACTOR IS RESPONSIBLE FOR REVIEWING ALL CONSTRUCTION DOCUMENTS FOR INFORMATION PRIOR TO BID.
- VERIFY WITH ARCHITECT ON ALL EQUIPMENT AND FIXTURES REQUIRING PLUMBING PRIOR TO BID. COORDINATE EXACT LOCATIONS AND CONNECTIONS.
- ALL WORK SHALL BE IN COMPLIANCE WITH STATE AND LOCAL CODES.
- CONTRACTOR SHALL PAY ALL FEES, PERMITS, LICENSES, ETC. NECESSARY FOR PROPER COMPLETION OF WORK.
- INSTALL ALL EQUIPMENT IN ACCORDANCE WITH MANUFACTURER'S RECOMMENDATIONS.

PLUMBING PIPING LINETYPES

LINETYPE	DESCRIPTION
---	DEMOLITION
---	GAS
---	SANITARY ABOVE GRADE
---	SANITARY BELOW GRADE
---	STORM ABOVE GRADE
---	STORM BELOW GRADE
---	VENT ABOVE GRADE
---	VENT BELOW GRADE
---	COLD WATER
---	COLD WATER BELOW GRADE
---	HOT WATER
---	HOT WATER BELOW GRADE
---	RECIRC WATER
---	RECIRC WATER BELOW GRADE

PLUMBING PIPING LEGEND

	CIRCUIT SETTER
	BALL VALVE OR SHUT-OFF VALVE
	SPRING CHECK VALVE
	END CAP
	NEW TO EXISTING PIPE CONNECTION
	FLOW DIRECTION ARROW
	NEW TO EXISTING POINT OF CONNECTION SYMBOL
	PIPE CONNECTION
	HAMMER ARRESTOR (PISTON TYPE)
	HAMMER ARRESTOR (BELLOWS TYPE)
	PIPING LINEWEIGHT: NEW/DEMOLITION
	PIPING LINEWEIGHT: EXISTING

PLUMBING ABBREVIATIONS

AG	ABOVE GRADE	MAU	MAKE-UP AIR UNIT
ADD	ADDENDUM	MC	MECHANICAL CONTRACTOR
ADDL	ADDITIONAL	MECH	MECHANICAL
ADJ	ADJUSTABLE	MIN	MINIMUM
AFG	ABOVE FINISH FLOOR	NG	NATURAL GAS
AFG	ABOVE FINISH GRADE	NTS	NOT TO SCALE
ALT	ALTERNATE	NPCW	NON POTABLE COLD WATER
BG	BELOW GRADE	ORD	OVERFLOW ROOF DRAIN
BWV	BACKWATER VALVE	OS	OPEN SITE
CO	CLEANOUT	OSD	OVERFLOW STORM DRAIN
COL	COLUMN	PC	PLUMBING CONTRACTOR
CW	COLD WATER	PLBC	PLUMBING
DN	DOWN	PRES	PRESSURE
DS	DOWNSPOUT	QTY	QUANTITY
EC	ELECTRICAL CONTRACTOR	RD	ROOF DRAIN
ECO	EXTERIOR CLEANOUT	RTU	ROOFTOP UNIT
EO	EQUAL	SAN	SANITARY
FCO	FLOOR CLEANOUT	SCH	SCHEDULE
FD	FLOOR DRAIN	SD	STORM DRAIN
FLR	FLOOR	SPEC	SPECIFICATIONS
FS	FLOOR SINK	SS	STAINLESS STEEL
FT	FOOT (FEET)	TEMP	TEMPERATURE
F	FURNACE	TYP	TYPICAL
GAL	GALLON	UR	URINAL
GC	GENERAL CONTRACTOR	V	VENT
GPM	GALLONS PER MINUTE	VTR	VENT THRU ROOF
GI	GREASE INTERCEPTOR	W/	WITH
GW	GREASE WASTE	WCO	WALL CLEANOUT
HW	HOT WATER	WC	WATER CLOSET
HWR	HOT WATER RETURN		

PLUMBING SHEET INDEX

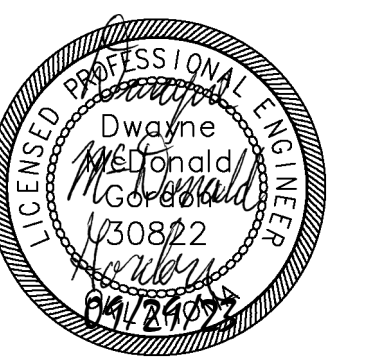
P000	PLUMBING TITLE SHEET
P101	PLUMBING PLAN
P201	PLUMBING PLAN - ROOF

AGP
the Abl Griffin
Partnership L.L.C.

201 N. BROADWAY
SUITE 210
MOORE, OK. 73160
405.735.3477
AGP@theAGP.net
www.theAGP.net

KFC ENGINEERING
STRUCTURAL

SALAS O'BRIEN
MECHANICAL / ELECTRICAL



KC

drawn by

KP

checked by

SEPTEMBER 2023

date

revisions

MOORE PUBLIC SCHOOLS
BOARD OF EDUCATION
MOORE, OKLAHOMA



OFFICE ADDITION
FAIRVIEW
ELEMENTARY SCHOOL

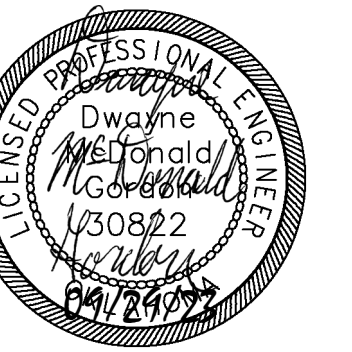
sheet no:

P000

OWNERSHIP USE OF DOCUMENTS:



AGP EXPRESSLY RESERVES ITS
COPYRIGHT AND OTHER PROPERTY
RIGHTS OF ALL PLANS AND DRAWINGS
DESIGNED AND/OR PRODUCED. PLANS
AND DRAWINGS ARE NOT TO BE
REPRODUCED IN ANY FORM OR MANNER
WITHOUT THE EXPRESSED WRITTEN
CONSENT OF AGP.

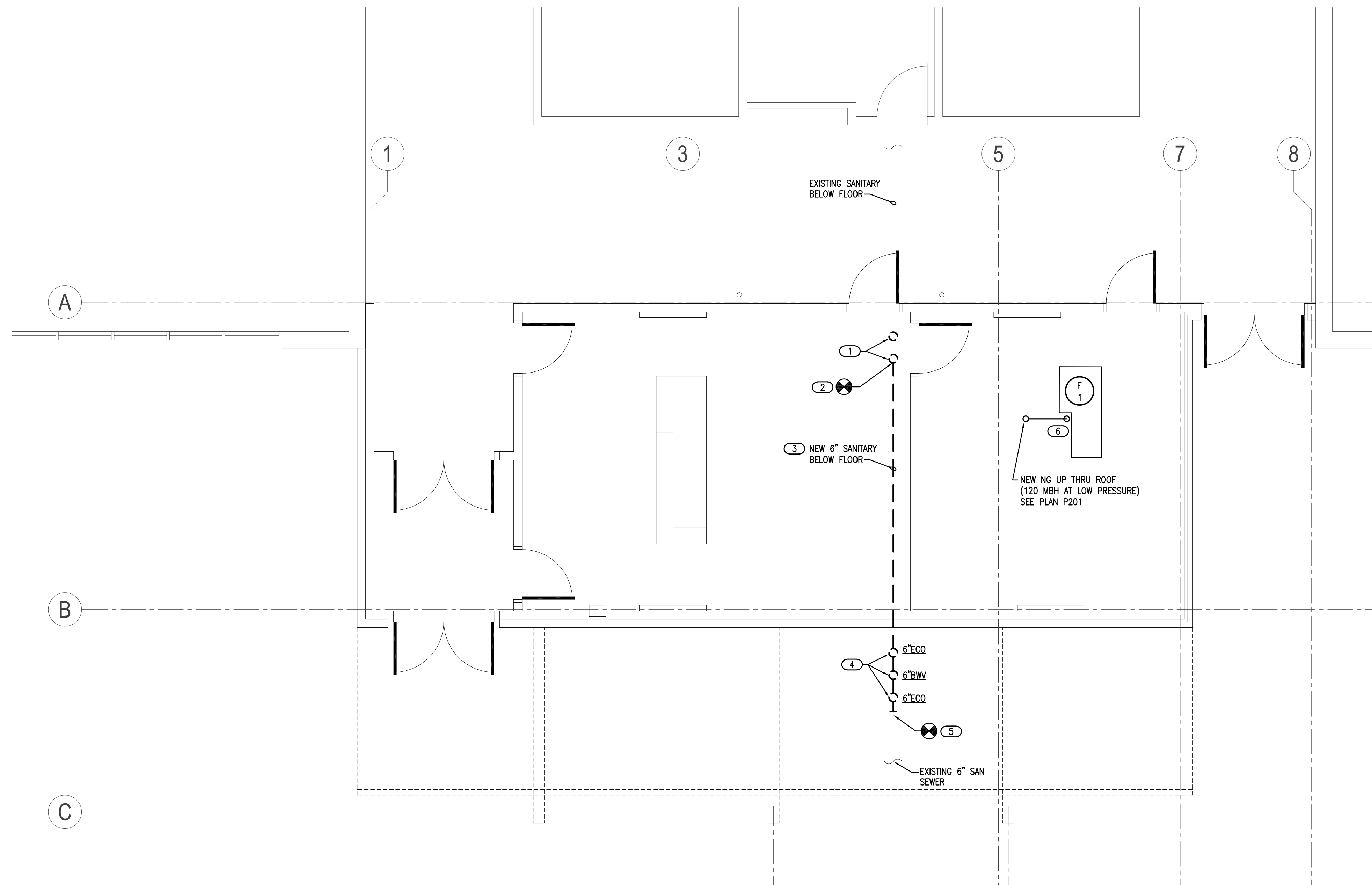


GENERAL NOTES

1. COORDINATE WORK WITH ALL TRADES ON SITE.
2. FIELD VERIFY EXISTING CONDITIONS PRIOR TO COMMENCING WORK.
3. COORDINATE ALL BELOW GRADE PIPE ROUTING WITH STRUCTURAL FOUNDATIONS AND REQUIRED PIPE SLEEVES THRU FOUNDATION PENETRATIONS.
4. FIELD VERIFY EXISTING SANITARY SEWER INVERT ELEVATIONS.
5. COORDINATE WITH MC FOR ROUTING FURNACE CONDENSATE DRAIN LINE TO NEAREST FLOOR SIN, MOP SINK OR SINK TAILPIECE. FIELD VERIFY LOCATION.

KEYED NOTES

- ① MODIFY EXISTING CLEANOUT COVER HEIGHT AS REQUIRED TO BE FLUSH WITH NEW FINISHED FLOOR.
- ② CONNECT NEW 6" SANITARY BELOW FLOOR TO EXISTING CLEANOUT FITTING.
- ③ REMOVE EXISTING BELOW GRADE SANITARY SEWER LINE AND REPLACE WITH 6" SANITARY LINE RATED FOR BELOW FLOOR. PVC ASTM D2665.
- ④ INSTALL NEW EXTERIOR CLEANOUTS AND SANITARY BACKWATER VALVE WITH COVERS FLUSH WITH CONCRETE PAD. REFER TO DETAIL 1/P000.
- ⑤ CONNECT NEW 6" SANITARY SEWER TO EXISTING 6" SANITARY SEWER.
- ⑥ ROUTE NATURAL GAS (LOW PRESSURE) LINE TO FURNACE. PROVIDE BALL VALVE, DRIP LEG, AND FINAL UNIT CONNECTION. COORDINATE CONNECTION WITH MC.



1 PLUMBING PLAN
SCALE: 1/4" = 1'-0"



KC	drawn by
KP	checked by
SEPTEMBER 2023	date
	revisions

MOORE PUBLIC SCHOOLS
BOARD OF EDUCATION
MOORE, OKLAHOMA



OFFICE ADDITION
FAIRVIEW
ELEMENTARY SCHOOL

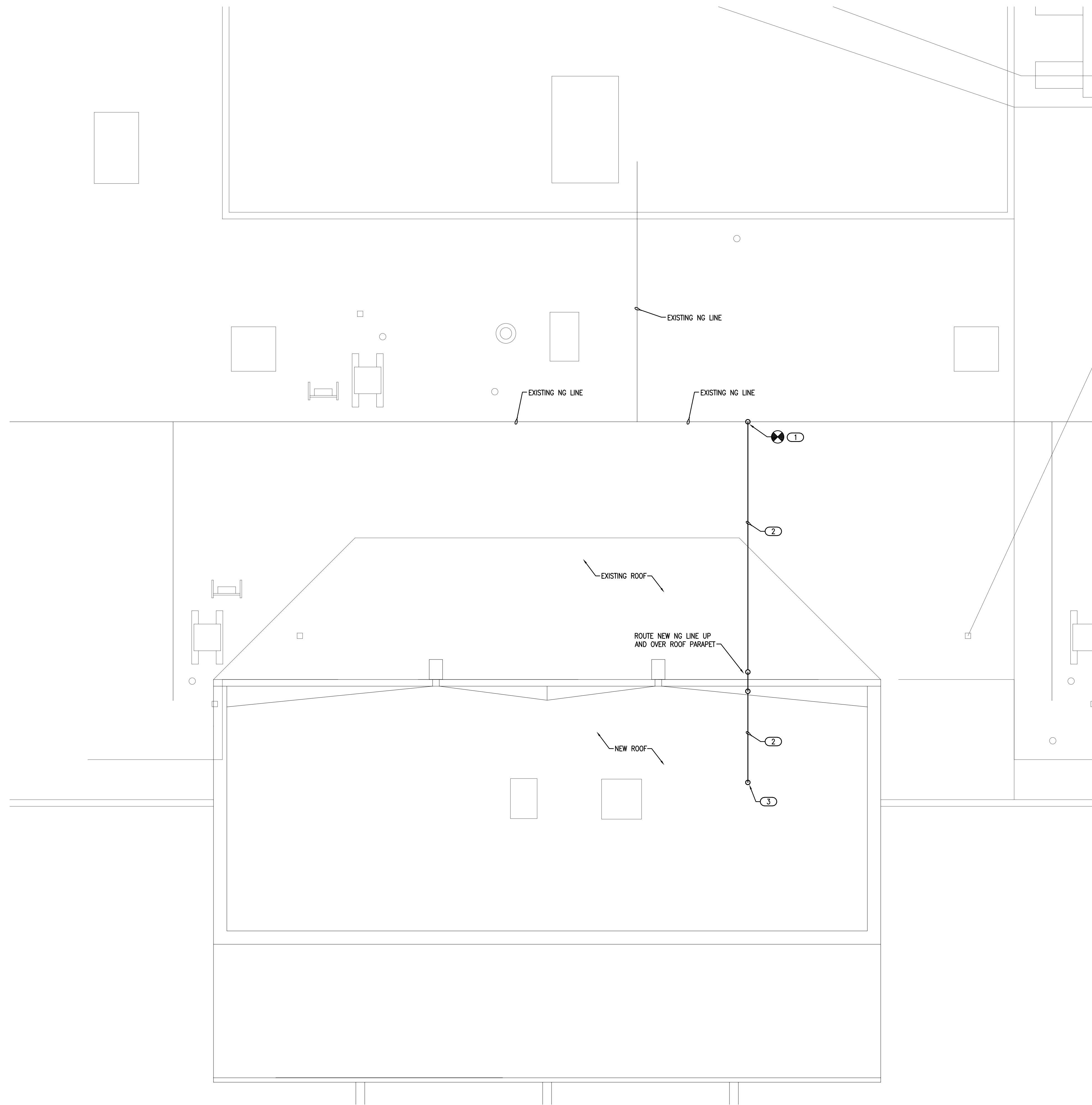
sheet no:

P101

OWNERSHIP USE OF DOCUMENTS:

Salas O'Brien
2600 Van Buren St., Suite 2635
Norman, OK 73072
Salas O'Brien Registration: CA# 7058
Expiration Date: 6/30/2025
Salas O'Brien Project Number: 2023-04386-00

AGP EXPRESSLY RESERVES ITS
COPYRIGHT AND OTHER PROPERTY
RIGHTS OF ALL PLANS AND DRAWINGS
DESIGNED AND/OR PRODUCED. PLANS
AND DRAWINGS ARE NOT TO BE
REPRODUCED IN ANY FORM OR MANNER
WITHOUT THE EXPRESSED WRITTEN
CONSENT OF AGP.



- GENERAL NOTES**
1. COORDINATE WORK WITH ALL TRADES ON SITE.
 2. FIELD VERIFY EXISTING CONDITIONS PRIOR TO COMMENCING WORK.
 2. ALL ABOVE GRADE EXTERIOR NATURAL GAS PIPE SHALL BE CLEANED AND DEGREASED PRIOR TO BEING PRIMED THEN PAINTED YELLOW WITH WEATHER RESISTANT ZINC RICH PAINT.
 3. PIPE IDENTIFICATION SHALL BE THE WORD "NATURAL GAS" IN BLACK LETTERS AT 5 FT INTERVALS USING PLASTIC PIPE MARKERS OR STENCILED PAINTED LETTERS.
 4. ALL GAS PIPE SHALL COMPLY WITH IFGC. BRANCH LINES SHALL TAP OFF TOP OF GAS MAINS AND INSTALL SHUT-OFF VALVE ON BRANCH LINE.

- KEYED NOTES**
- 1 CONNECT NEW 3/4" NATURAL GAS LINE WITH BALL VALVE INTO TOP OF EXISTING NATURAL GAS LINE. FIELD VERIFY EXISTING GAS LINE SIZE AND PRESSURE. (120 MBH, LOW PRESSURE).
 - 2 ROUTE NATURAL GAS LINE (LOW PRESSURE) ON ROOF. PROVIDE MIRO INDUSTRIES MODEL 3-RAH-8 ROOF TOP SUPPORTS OR APPROVED EQUAL. INSTALL AT MAXIMUM OF 10'-0" APART (CENTER TO CENTER) ON ALL 1 1/4" NATURAL GAS PIPING OR LARGER. INSTALL AT 8'-0" APART ON 1" OR 3/4" NATURAL GAS PIPING. INSTALL AT 6'-0" APART ON 1/2" NATURAL GAS PIPING. REFER TO GENERAL NOTES FOR PAINTING GAS LINE. SEE PIPE SUPPORT DETAIL 2/P000.
 - 3 ROUTE 3/4" NATURAL GAS LINE DOWN THRU ROOF TO SERVE NEW FURNACE. PROVIDE BOOT JACK AT ROOF PENETRATION AND SEAL WATER TIGHT. COORDINATE WITH ROOFING CONTRACTOR. SEE PLAN P101 FOR CONTINUATION.

AGP
the Abla Griffin
Partnership L.L.C.

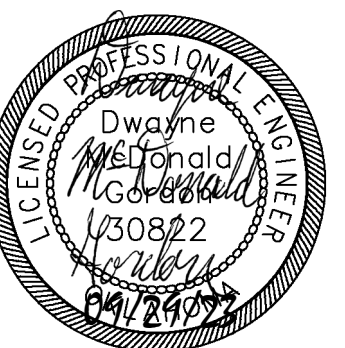
201 N. BROADWAY
SUITE 210
MOORE, OK. 73160
405.735.3477
AGP@theAGP.net
www.theAGP.net

KFC ENGINEERING

STRUCTURAL

SALAS O'BRIEN

MECHANICAL / ELECTRICAL



KC
drawn by
KP
checked by
SEPTEMBER 2023
date
revisions

MOORE PUBLIC SCHOOLS
BOARD OF EDUCATION
MOORE, OKLAHOMA



OFFICE ADDITION
FAIRVIEW
ELEMENTARY SCHOOL

sheet no:

P201

OWNERSHIP USE OF DOCUMENTS:

Salas O'Brien
2600 Van Buren St., Suite 2635
Norman, OK 73072
Salas O'Brien Registration: CA# 7058
Expiration Date: 6/30/2025
Salas O'Brien Project Number: 2023-04386-00

AGP EXPRESSLY RESERVES ITS
COPYRIGHT AND OTHER PROPERTY
RIGHTS OF ALL PLANS AND DRAWINGS
DESIGNED AND/OR PRODUCED. PLANS
AND DRAWINGS ARE NOT TO BE
REPRODUCED IN ANY FORM OR MANNER
WITHOUT THE EXPRESSED WRITTEN
CONSENT OF AGP.

1 PLUMBING PLAN - ROOF
SCALE: 1/4" = 1'-0"

